

the
JS



Vault Door JS90 3½"

DOOR

The JS90 GLADIATOR vault door is constructed of inner and outer electrically welded steel plates enclosing 90mm (3½") of Megasafe's new superior high-density composite barrier material. In addition to this monolith, the entire door is covered by drill resistive "megasteel" anti penetration plates a matrix grid and our "Z" reinforcement bars. The entire door has overall thickness of 7.1" (180 mm). The combination of Megasafe's barrier materials provide the door a unique strength to protect against sophisticated and concentrated modern tool and torch attacks essential for maximum security.

Frame

Factory-casted reinforced composite barrier material around entire door frame making a uniquely strong door jamb area providing no weak points for attack found only on MEGASAFE vault doors. The frame is constructed of massive 10mm (0.4") thick steel plates that fit around the vault room walls.

Locks

The vault door is equipped with UL Listed mechanical or electronic combination lock and a 9-lever high security key lock.

Boltwork and Relocking Mechanism

Megasafe's massive 3 way "Pull and Push" locking mechanism activates 38mm (1 ½") bolts. A continuous, reinforced interlocking rail secures the door on the hinge side. The vital mechanism areas are protected by a glass plate. An attack by tool, torch or explosives will shatter the glass activating four relocking devices thus preventing the safe from being opened. In addition, both locks are connected to two live relockers. A floating connection between the locks and the live relockers ensure that every time the safe is locked, the relocks will move into the locked position.

Day Gate

An attractive day gate for easy access in and out of the vault room during working hours is available as an optional extra.

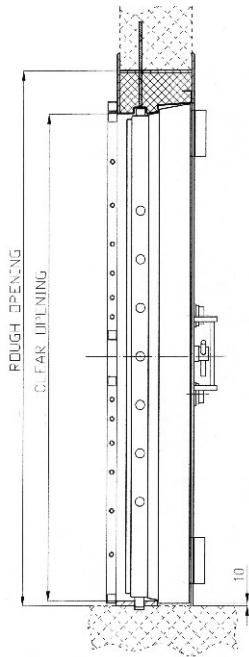
JS Vault Door



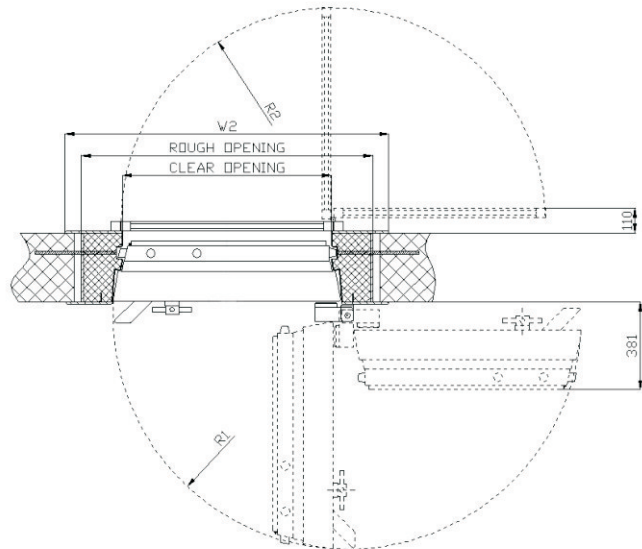
Recommended Rough (Wall) Opening:
 Height: **2083mm (82")**
 Width: **1120mm (40")**
 Wall Thickness: **< 250mm (10")**

Clear Opening:
 Height: **1950mm (76.8")**
 Width: **900mm (35.4")**

Side Elevation

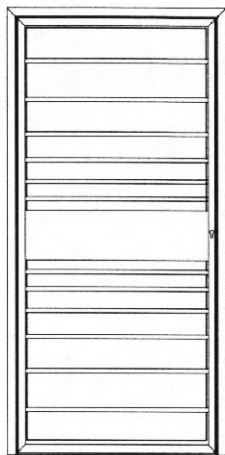


Top Elevation



Vault Door with
integrated
Emergency Door

Optional Day Gate



REAR ELEVATION



Authorized Dealer:

Electronic Lock with new
self-powering technology



In effort to continuously innovate and develop high-security products, the manufacturer reserves the right to incorporate any improvements and alter any specifications without prior notice.