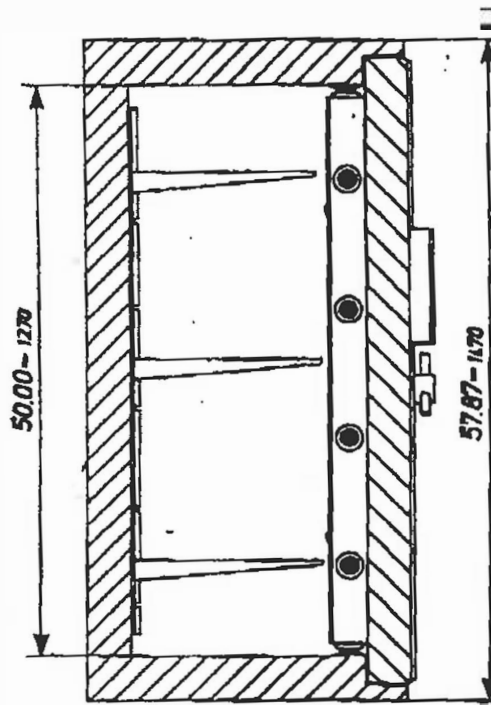
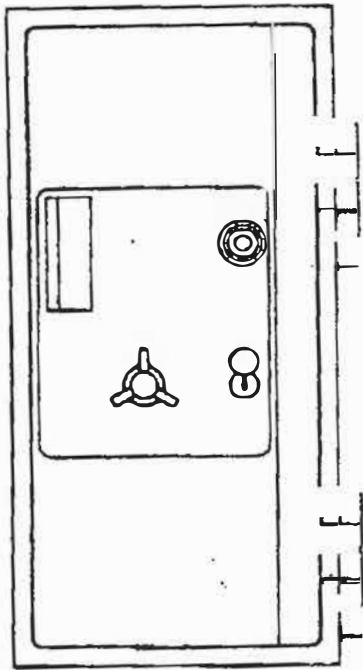


MODEL 2470



DIMENSIONS IN INCHES — mm.

APPROXIMATE TOTAL WEIGHT 2818 LBS (1278 KGS)
INSIDE FREE VOLUME 19,606 cu. in. (321 LITERS)

TOLERANCES:

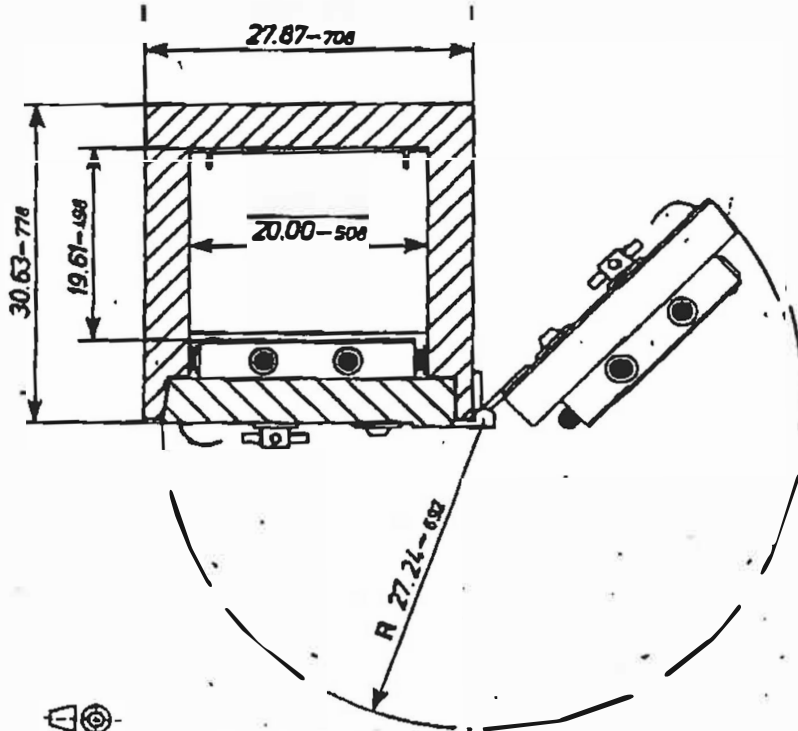
LINEAR: $\pm 0.2"$ (± 5 mm)

WEIGHT: $\pm 7\%$

ABOVE DIMENSIONS DO NOT INCLUDE
HINGE AND HANDLE PROJECTIONS.

ADD 1.77 IN (45 MM) TO OUTSIDE WIDTH
FOR HINGE PROJECTIONS.

ADD 2.95 IN (75 MM) TO OUTSIDE DEPTH
FOR HANDLE PROJECTION.



MEGASAFE
HIGH SECURITY SAFES

(800) 345-6552 www.megasafe.com