

Tann established 1795

A new family of high security safes
with **TANNTIMER™** anti-holdup time delay.



4720



3520

- ☐ **Tann Super Treasury TST**
- ☐ **Tann Jewelers Treasury TBT**
- ☐ **Tann Super Fortress TSB**



2316



3520



3520



Tann...protecting the priceless since 1795, introduces a "new family" of high security safes to the United States.

Tann is now pioneering with the most sophisticated "new family" of products ever to come to America. The Tann Super Treasury TST, the Tann Jewelers Treasury TBT and finally the new Tann Super Fortress TSB.

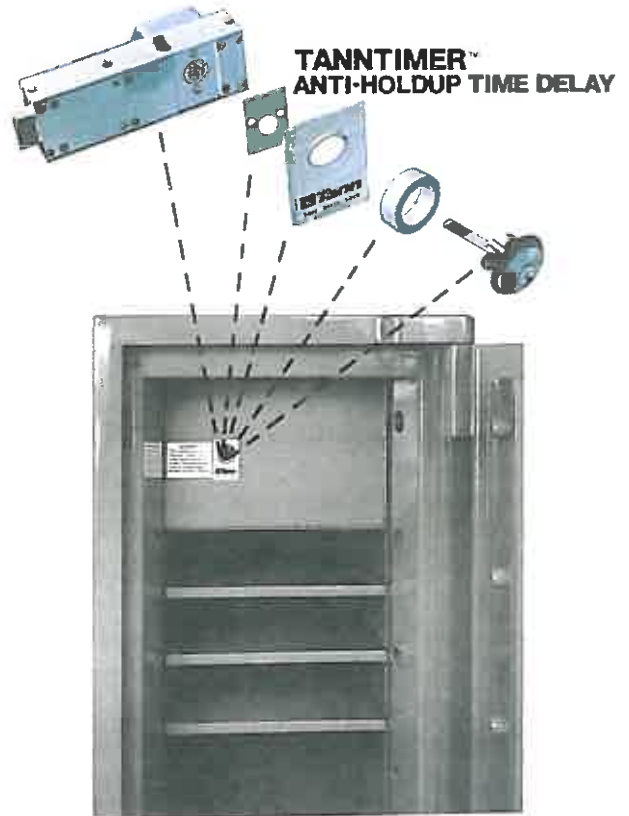
New will be the highly impressive alloy build up incorporating individual bolt sockets *into* the massive material. New will be the heavy overlay of defense silumin abrasite and copper totally protecting the vertical and horizontal boltwork from bulwark burning attacks. New will be the substantial increases to body and door thicknesses (something like 14% increase over the previous Jewelers and Super Fortress safes). New, yes new, to the United States will also be the first safemaker's attempt to help combat hold up!

Every "new family" safe will have a compartment with a *Tanntimer*® with signalling light when the compartment can be opened, normally three minutes after the key is turned. The time delay is adjustable to suit the jewelers environment. All precautions for the jewelers are built into this system.

Tann
SUPER TREASURY TST



Model 4720





Super Treasury TST

The Super Treasury TST Safe is the most powerful in the John Tann new family of heavy safes.

By comparison, not many of these incomparable units are built in the course of a year. Each safe is individually created with supreme patience and skill. No refinement in security engineering technology is omitted, from massive shell construction of specially cast alloys to sensitive devices actuated automatically by assault.

Body

A monolithic structure with an overall thickness of 5" on all sides gives all round protection against attack. The structure comprises an advanced aluminum barrier slab encased in Tann Adamantium and reinforced with a massive triple reinforcing grid interlocked at each corner to give a continuous protective cage. As protection against skinning, a steel grid is welded to inside face of outer body plate suitably embedded within the Tann Adamantium.

An additional feature against side attack on boltheads is the insertion of manganese and stainless steel within the areas of bolt locking pockets.

The complete structure now gives all round protection against delamination, drills, impact and oxygen cutting.

Door

The door construction gives a maximum thickness of 7" with security protection thickness over lock and boltwork of 4 3/4" and comprises an electrically welded steel carcass containing barrier materials to give resistance against drill, oxygen cutting, impact and other forms of attack.

The barrier materials are in laminate formation with integral anchors to give resistance to delamination. Advanced alloy with inclusions 2 3/16" thick is encased in Tann Adamantium combined with a massive steel triple grid to ensure maximum bonding and adhesion. As an added protection against side attack through the body on the locks, additional protective plates are included within the lock chamber area.

Traditional style hinges with self lubricating bearings ensure easy movement of the door.

Lock and Boltwork

The boltwork of the Super Treasury TST safe is a four-way locking system with fixed dog bolts on the rear edge of the door.

Each shoot bolt engages an individual pocket to secure the door to the body structure.

In standard form the locking is effected by two locks, the Tann series 20 nine lever keylock and a four number code combination lock.

Both locks operate live relocking devices which are themselves cross locked by dead lockers controlled by the glass plate.

The TST safe has extensive glass plate protection

of the entire lockwork central area, protecting the locks and the live and dead relocking devices associated with the central locking area. There are further dead relocking devices situated in remote areas, the positions of which are selected at random.

All dead relocking devices are connected to the glass plate by seven strand stainless steel wire.

The dead relocking system incorporates a thermal trigger which, in the event of any heat generating attack, will fire a dead relocking device; it must be noted that all dead relocking devices when fired become cross locked.

A two movement timelock may be incorporated into the locking system on all sizes with the exception of model 2316.

Standard Features

See inside back cover for all standard features including:

- Anti-Holdup Tanntimer
- 'Nerve Center' Relocking Mechanism
- Xray Device
- Dial Checklock
- Thermic Lance Attack
- Ambush Alarm Option
- Anchoring Facilities
- Interiors Fittings
- Furniture and Finish
- Insurance Recognition



Model 4720



Model 2316 (standard finish dark brown)



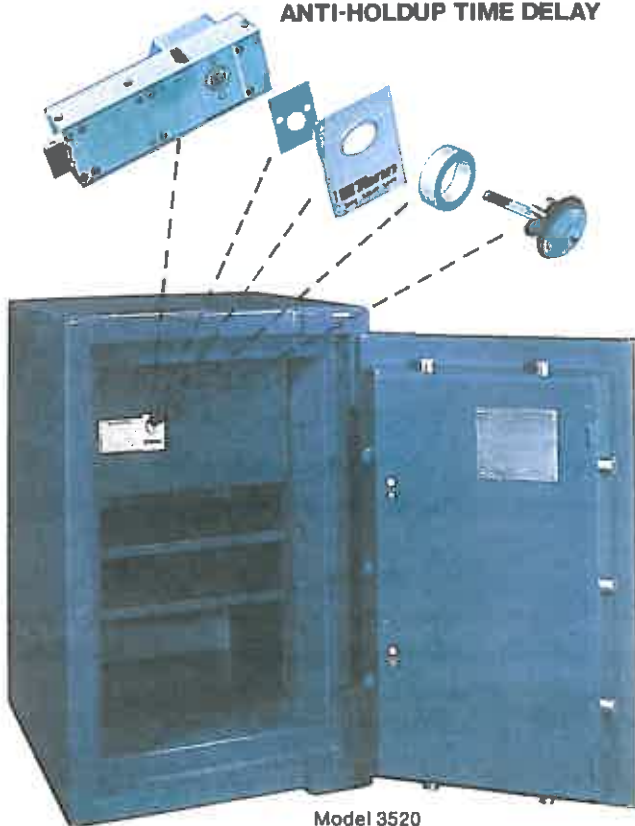
Jewelers Treasury TBT

The Tann Jewelers Treasury TBT represents an improved concept of the massive maximum-security safe incorporating thermic lance deterrent devices and a new increased highly sophisticated body construction. The overall design and construction is immensely powerful. Special materials employed in the body and door linings resist the scientific methods of attack which criminals can be expected to use with increasing frequency over the remaining years of this century. New techniques of cold forming and welding give unrivalled overall strength against force of all kinds. The body of the TBT incorporates an entirely new system of reinforced protection. Advanced design skill has also gone into the vital control mechanisms. The locks, which can be of key or combination type, and the precision-engineered boltwork, incorporate devices automatically resisting attack by explosives and other means. The styling of the TBT is simple, yet impressively dignified. Its massive strength speaks for itself.

Body

The body comprises a monolithic structure with an increased overall thickness of 5" on all sides. The monolithic all round protection contains drill and torch resistant alloys in slab formation, reinforced against delamination attack by a heavy steel reinforced grid interlocked at each corner to give a continuous protective cage. This heavy reinforcement is embedded within

TANNTIMER[™] ANTI-HOLDUP TIME DELAY



Model 3520

Tann Adamantium. The protective alloy slabs have a thickness of 1" minimum to a maximum of 1 3/4" in main bolt locking areas. As a final protection against skinning, steel grids are welded to the inside face of outer body plates suitably embedded within the Adamantium. The complete structure gives all round protection against known forms of attack.

Door

The door is designed to give a maximum thickness of 4 3/4" over the lock and boltwork, of which 2 3/8" is metal content, and comprises an electrically welded steel carcass containing barrier materials to give a resistance against attack by drills, all forms of oxygen cutting, impact and other forms of attack. The barrier materials contained within the structure are laminations of advanced alloy with hard inclusions 1/4" thick, Tann Adamantium and materials giving a deterrent against thermic lance attack. Within the alloy barrier are integral anchor formations secured to the carcass to give resistance to delamination; the Tann Adamantium being suitably reinforced with a heavy steel welded grid to ensure maximum bonding and adhesion.

As an added protection against side attack through the body, on the locks additional protective plates are added within the lock chamber.

Traditional style hinges with self lubricating bearings ensure easy movement of the door.

Lock and Boltwork

The boltwork of the TBT safe is a four-way locking system with fixed dog bolts on the rear edge of the door.

Each shoot bolt engages an individual pocket to secure the door to the body structure.

In standard form locking is effected by two locks, the Tann Series 20 nine lever keylock and 1 four number code combination lock; both locks operate live relocking devices. Full glass plate protection is given to the sensitive areas of the lockwork. Connected to the glass plate by seven strand stainless steel wire are four dead relocking devices, three of which are positioned at random.

The dead relocking system incorporates a thermal trigger which in the event of any heat generating attack will fire one dead relocking device.

It must be noted that all relocking devices when fired become cross locked. A two movement timelock may be incorporated into the locking system on all sizes with the exception of the model 2316.

Standard Features

See inside back cover for all standard features including:

- Anti-Holdup TannTimer[™]
- 'Nerve Center' Relocking Mechanism
- Xray Device
- Dial Checklock
- Thermic Lance Attack
- Ambush Alarm Option
- Anchoring Facilities
- Interior Fittings
- Furniture and Finish
- Insurance Recognition



Protecting the priceless since 1795

It is recorded that the House of Tann were makers of ironclad treasure chests during the reign of King George II (1727-1760). In 1795, just outside of London, Edward Tann and his son founded what is believed to be the world's first firm of safemakers—John Tann Limited.

Two centuries of experience has taught Tann that the science of safemaking must continuously advance to keep a step ahead of the science of safebreaking. Safety—from fire and theft—is the final, the ultimate, the only test of a safe.

John Tann—today

John Tann, established over 185 years ago, now sells its products in over eighty countries throughout the world. Tann is entrusted with the security of Royalty, Central Reserve Banks, De Beers, and countless Commercial Banks and financial institutions throughout the world. Tann through Intersec is now synonymous with high security in the United States and has become something of a household word with jewelers and other businesses looking for the ultimate in protection. Tann has always kept that vital step ahead—becoming more diversified, more sophisticated, leading the way in many aspects of security. That's why people with a lot to lose invariably place it in the safekeeping of a "Tann". *There is only one John Tann... there can be no second best where security is concerned.*



Tann—made invincible

Safe or vault equipment has multiple materials incorporated in all surfaces. These multiple materials buy more time as different tools and techniques are required to attempt penetration of various layers. Defense in depth buys time. Additionally, Tann Designers have placed various plates in the locking area sensitive to drilling, drifting, impact, heat or explosives. Any type of heavy attack, including the burning bar or oxy-arc, will trigger multiple remotely located relocking devices which "dead lock" the safe or vault door. These tempered glass plates are frequently referred to as the "nerve center" of the entire lockwork.

Tann Safes can resist all known forms of attack including carbide tools, oxy-acetylene torch and the oxy-arc. Also incorporated are special materials to counter the formidable burning bar. If required, Tann provides safes approved and in accordance with the Underwriters Laboratories, Inc. specifications. The Tann concept of construction is to have equality of strength between door and body providing security on all six sides of the unit. All John Tann safes are designed with this philosophy.

Today, more than ever before, maintaining security is an unenviable challenge. Tann has met this challenge offering you the finest security products available in the world—and peace of mind! That's how John Tann has grown to be, nearly 200 years old.



Super Fortress TSB

To attempt to improve on the immensely successful Super Fortress safe has not been easy, particularly bearing in mind the existence of the current high security Tann Jewelers Treasury TBT and Super Treasury TST ranges. However, the new Super Fortress TSB offers many exceptional features to gain in Europe an even higher rating than its previously presented competition. To meet the demand many new sizes have been added including a large model 6327(D) high capacity Super Fortress TSB. The security concepts of this new safe from Tann incorporate the best from the previous range together with some of the sophisticated features in the latest Tann TST and TBT qualities. The new Super Fortress TSB is truly one step ahead in modern security advancement.

Body

The overall thickness of the body is 5" incorporating a total alloy and metal thickness of 1-1/4" throughout (with maximum in bolt locking areas) and maximum 3/8" Adamantium monolith incorporating steel shot—a massive total defense against the blowtorch, oxygen cutting, power drilling and heavy tool and wedging attacks. The construction employs the latest cold-forming techniques coupled with the most

advanced welding methods to form a jointless steel outer shell of 1/4" tough steel plate. The inner body is similarly joined to the outer shell in such a way that the joint is stronger than the parent metal. This unique and total body form with its "tailored" alloy construction (as opposed to slide-in tub) provides the most complete and detailed method of building a truly secure safe body.

Door

The door has a massive 7" total thickness with a minimum 4 3/4" protection over the lockwork area. Embodied in the complex structure is a constant 1 3/4" metal including the most advanced alloy materials resistant to all forms of oxygen cutting and other sophisticated cutting techniques. The high density alloy material is specially reinforced to give extreme resistance to drilling, impact and other known forms of attack.

An added feature is the method by which the main protective slab is securely attached to the front and rear structure thereby eliminating the possibility of delamination—a hazard in many other safes. The total construction of the door has been rigorously tested and in addition to the oxygen cutting techniques has proved highly resistant to wedging and explosives whether central or at the edges.

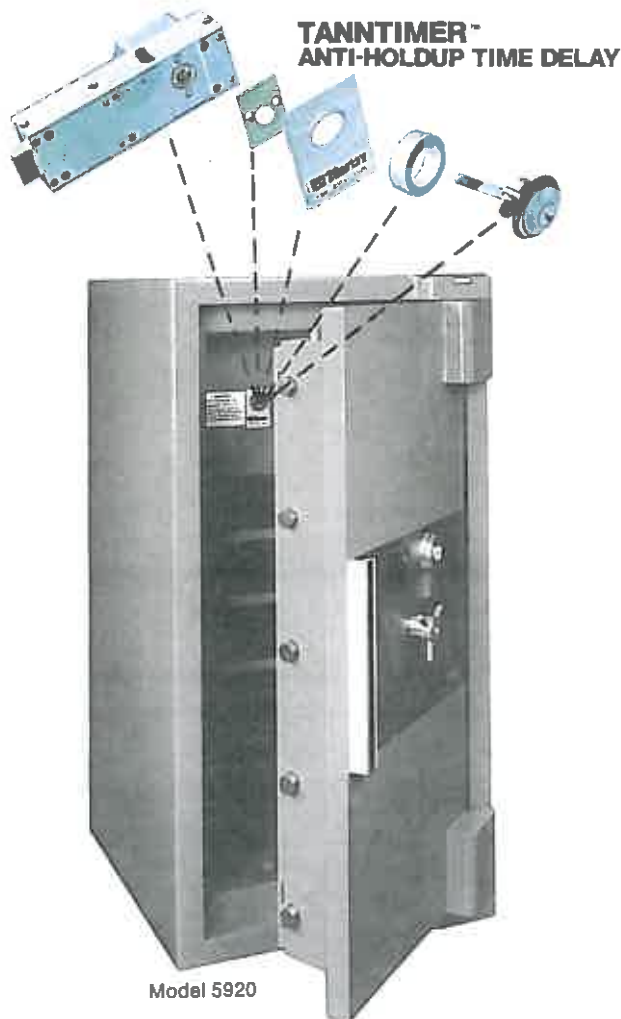
Lock and Boltwork

The boltwork is of a most advanced type developed, tested and approved for top security requirements. It incorporates several anti-explosive (including thermal) and other variable automatic and remotely located relocking devices for protection against various methods of attack. The heart of the system is a special glass plate mounting which immediately responds to pressure, impact or excessive heat. These various devices automatically secure the four-way boltwork system in the locked outward position in the event of attack each shoot bolt engages an individual pocket to secure the door to the body structure. Once activated these devices which are themselves cross locked, cannot open. The bolts are bright drawn steel operating horizontally from the leading and trailing edges of the door as well as vertically at the top and bottom of the door. The mechanism is controlled by one high precision series 20 keylock and one 4 wheel combination lock, both locks operate live relocking devices. This locking format provides simple key daytime control with combination dual security for periods when the safe is not in constant use. Other locking arrangements are available upon request. A two-movement timelock can be supplied to act in conjunction with any locking arrangement. NOTE: Timelocks cannot be fitted to the small model 2316 size due to insufficient space within the complex mechanism.

Standard Features

See inside back cover for all standard features including:

- Anti-Holdup Tanntimer
- 'Nerve Center' Relocking Mechanism
- Xray Device
- Dial Checklock
- Ambush Alarm Option
- Anchoring Facilities
- Interior Fittings
- Furniture and Finish
- Insurance Recognition



Model 5920



**Super Treasury TST
Jewelers Treasury TBT
Super Fortress TSB**

Standard Features

Anti-holdup Tanntimer

Every 'new family' Tann TST, TBT and TSB safe will have a compartment with a 'Tanntimer'™ with a signaling light when the compartment can be opened, normally 3 minutes after the key is turned. The time delay is adjusted to suit the jeweler's environment. All precautions for the jeweler are built into this system.

'Nerve Center' Relocking Mechanism

Unlike any other range of safes in the world, Tann has incorporated into the lock mechanism a highly sophisticated tempered glass 'nerve center' mounted on 'float' grommets carefully located behind the entire lock mechanism including the time lock. The 'nerve center' secures multiple 7 strand stainless steel wires, remotely and randomly located to provide a complex, cross-locked system of relocking devices to be triggered in the event of a determined attack. Certain fusible devices are sensitively tuned to melt when thermal cutting techniques are used. A formidable defense armoury to provide you with the ultimate you expect when purchasing a Tann new family TST, TBT and TSB.

X-ray Device

Essential for stopping an x-ray reading of the combination, every Tann TST, TBT, and TSB has a thick molded shield impregnated with lead spheres, mounted in front of the lock.

Dial Checklock

To eliminate possible tampering with the combination lock, a dial check is supplied as standard with every model.

Thermic Lance Attack

Only in the new Tann TST and TBT can you find defense barriers against this most formidable of all burglars' (burning bar) weapons.

Ambush Alarm Option

Available, upon special request, is a unique device built into the combination lock to alert the police or alarm company in a holdup situation. This system must be installed by your official Tann distributor and connected by your alarm company.

Anchoring Facilities

It must be recognized that, with a Tann, a real option open to a burglar is to attempt to bodily remove the safe for a prolonged attack elsewhere. Every Tann safe is equipped with anchoring facilities.

Interior Fittings

Every TST, TBT and TSB includes a 'Tanntimer' slam-lockable compartment in the top section of the safe. Shelves are also included according to size.

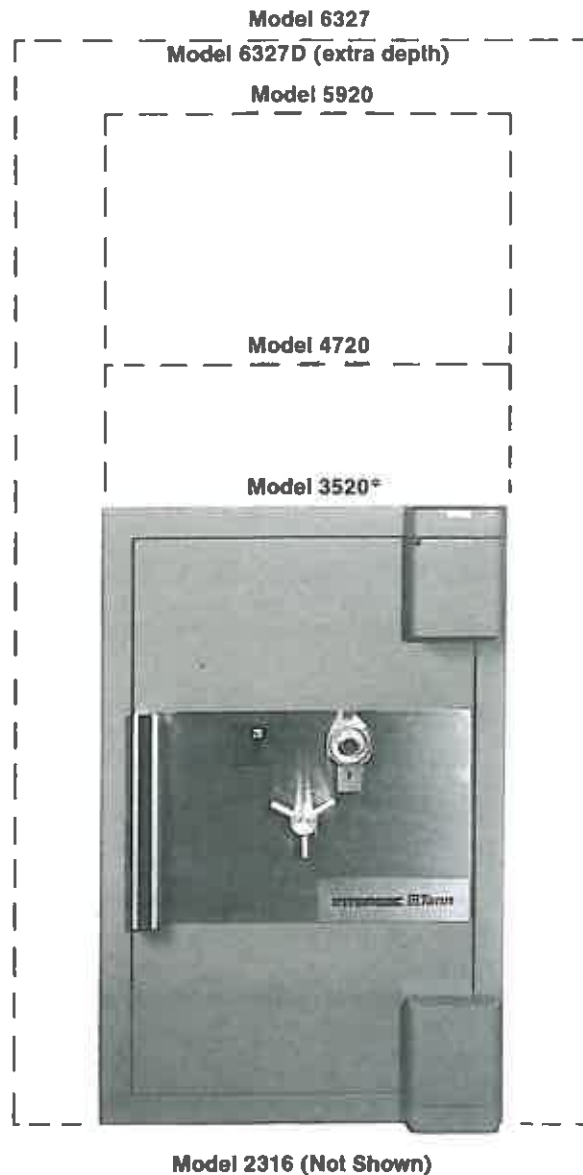
Furniture and Finish

A modern, stainless steel capstan wheel drives vertical and horizontal stainless steel boltwork by means of a scroll drive. Each model has a handsome stainless steel fascia panel enhancing impressive individual high gloss color schemes.

- Tann Super Treasury TST—Coffee Brown
- Tann Jewelers Treasury TBT—Midnight Blue
- Tann Super Fortress TSB—Fawn Tan

Insurance Recognition

Tann safes have earned their own reputation in the United States and over 100 countries throughout the world. Synonymous with "peace of mind" and an impregnable record in the marketplace, almost without exception, Tann (Intersec-Tann) safes will receive high recognition from reputable insurance companies world wide.



*3520 Tann Super Fortress TSB featured.

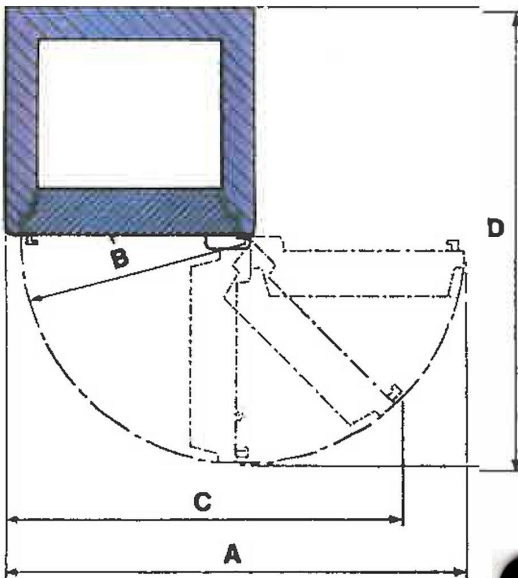
Our aim is always to provide the best security, therefore we reserve the right to incorporate any improvements and alter any specification accordingly without prior notice. By virtue of the Trade Descriptions Act, 1968, all measurements and weights must necessarily be considered approximate.

Dimensions and Weights

MODEL NO.	INSIDE DIMENSIONS			OUTSIDE DIMENSIONS			CUBIC FOOT CAPACITY	APPROX. WEIGHT (LBS.)					
	HEIGHT	WIDTH	DEPTH*	HEIGHT	WIDTH	DEPTH*		TST		TBT		TSB	
								DOOR	BODY	DOOR	BODY	DOOR	BODY
2316	22½"	15"	14½"	32½"	25½"	27½"	3.1	285	2310	236	2123	247	1994
3520	35½"	19½"	19½"	45½"	29½"	32½"	7.9	563	3765	433	3502	487	3257
4720	47½"	19½"	19½"	57"	29½"	32½"	10.6	740	4546	577	4229	639	3927
5920	59"	19½"	19½"	68½"	29½"	32½"	13.2	938	5318	739	4949	809	4585
6327	63"	27½"	17½"	72¾"	37½"	30½"	17.8	1366	6224	1104	5796	1180	5375
6327D	63"	27½"	21¾"	72¾"	37½"	34½"	21.7	1385	6763	1111	6296	1196	5841

*N.B. Add 1½" for overall depth inclusive of hinges and handles on all sizes.

Door Swing Projections



Door Swing Dimensions

MODEL NO.	A	B	C	D
2316	45½"	21½"	40"	50½"
3520	53½"	25½"	47"	59"
4720	53½"	25½"	47"	59"
5920	53½"	25½"	47"	59"
6327	69"	33½"	60"	65"
6327D	69"	33½"	60"	69"

Established 1795

Tann
INTERSEC

MEGASAFE
HIGH SECURITY SAFES
(800) 345-6552 www.megasafe.com