

ISM

ISM 6" Vault Door U.L. Class 2

MODEL VD155TA

The ISM VD155TA Vault Door was developed in order to meet the demand for an ultimate security vault door. The VD155TA incorporates patented composite barrier materials against flux-rod and sophisticated tool attacks. The locking mechanism has unique burglary resistant features and is designed to withstand explosive attacks through use of extremely strong construction and many sensitive relocking devices. After extensive testing, Underwriters Laboratories have approved the VD155TA for a CLASS 2 rating.

DOOR

The overall thickness of the door is 255 mm (10"). It is constructed of outer and inner 10 mm (0.4") thick steel plates continuously welded together, enclosing a 135 mm (5.3") thick layer of CYLITE — ISM's patented barrier material that has proven its resistance to severe flux-rod and torch attacks — which is in combination with a layer of ALCHRONITE — ISM's patented composite torch and tool resistant material. The VD155TA frame is constructed of 15 mm (0.6") thick steel, ensuring the physical stability of the vault door. The frame fits a wall thickness of 450 mm (18"). Other sizes are available as optional extras.

LOCKS

The VD155TA comes equipped with a U.L. listed group 1 manipulation proof combination lock and a twelve lever double bit key lock. The VD155TA has been prepared to accept a three movement time lock.

BOLTWORK

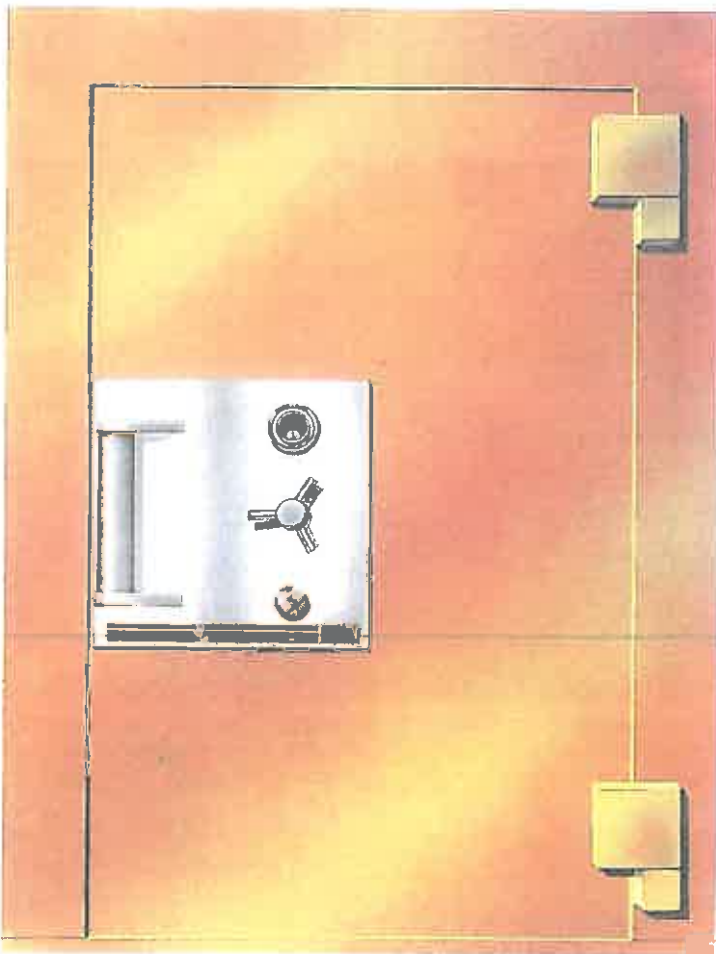
The boltwork and locking mechanism of the VD155TA are designed to enhance the strength of the door, providing a maximum security barrier against attacks with explosives as well as flux-rod or sophisticated tool attacks. The VD155TA has a double action locking mechanism which extends a locking bar, which is of the full length of the door, into a steel channel in the massive door frame. Fixed bolts lock the hinge side of the door.

RELOCKING DEVICES

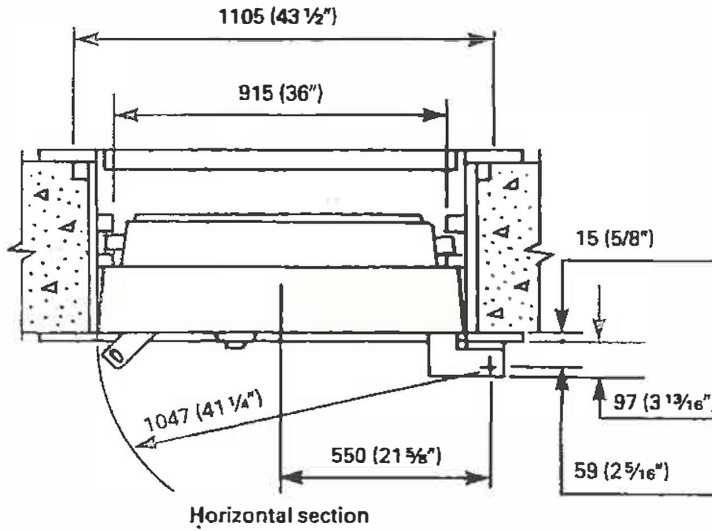
The locks and vital mechanism areas are protected by a special glass plate, which upon any attempt to penetrate the mechanism, releases a number of randomly located relockers independent of the locks. This provides the VD155TA with a maximum security deterrent against sophisticated burglary attacks.

DAY GATE

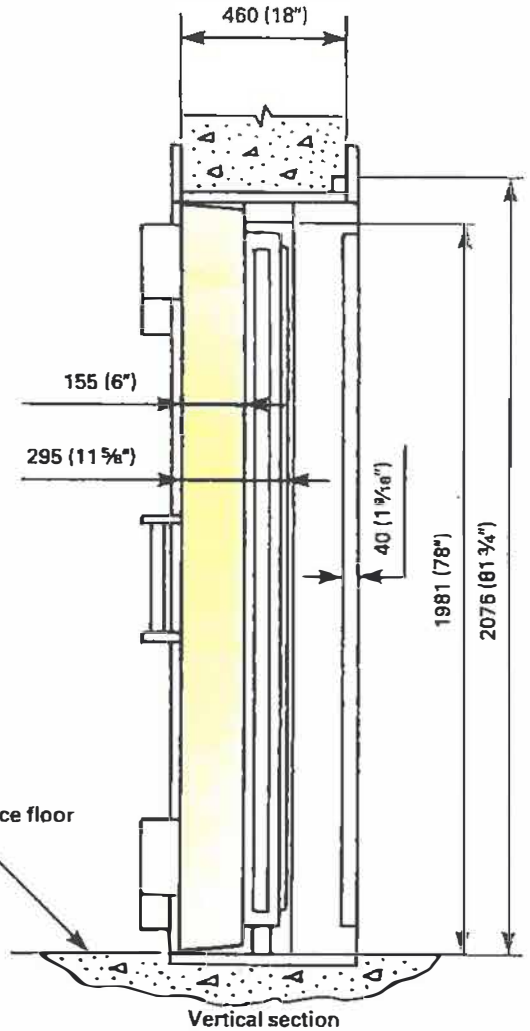
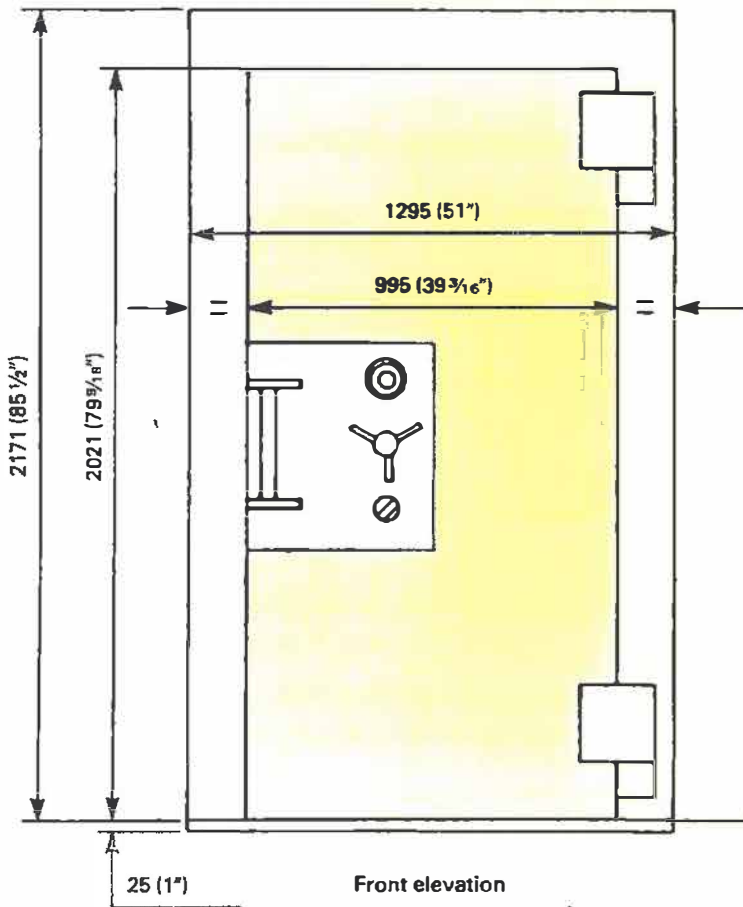
As an optional extra, an attractive anodized aluminum day gate with tinted glass is available with a cylinder lock for use during working hours when the vault door is open.



ISM 6" Vault Door



Total Weight:
1990 Kg. (4378 Lb.)
Door Weight:
1398 Kg. (3076 Lb.)



MEGASAFE
HIGH SECURITY SAFES
(800) 345-6552 www.megasafe.com