



ISM 3 1/2" Vault Door U.L. Class 1

MODEL VD90TA

The ISM VD90TA Vault Door is a new concept in vault room security. The physical construction, use of composite materials, and a unique locking mechanism, all combine to create in the ISM VD90TA vault door a maximum security barrier against all forms of modern burglary attacks. Underwriters Laboratories have tested the VD90TA and approved it for a CLASS 1 rating.

DOOR

The overall thickness of the door is 190 mm (7.5"). It is constructed of outer and inner 10 mm (0.4") thick steel plates continuously welded together, enclosing a 70 mm (2.75") thick layer of CYLITE — ISM's patented barrier material that has proven its resistance to severe flux-rod and torch attacks — which is in combination with a layer of ALCHRONITE — ISM'S patented composite torch and tool resistant material. The VD90TA frame is constructed of 15 mm (0.6") thick steel, ensuring the physical stability of the vault door. The frame fits a wall thickness of 450 mm (18") or 300 mm (12"). Other sizes are available as optional extras.

LOCKS

The VD905TA comes equipped with a U.L. listed group 1 manipulation proof combination lock and a twelve lever double bit key lock. As an optional extra the VD90TA is fitted to accept a three movement time lock.

BOLTWORK

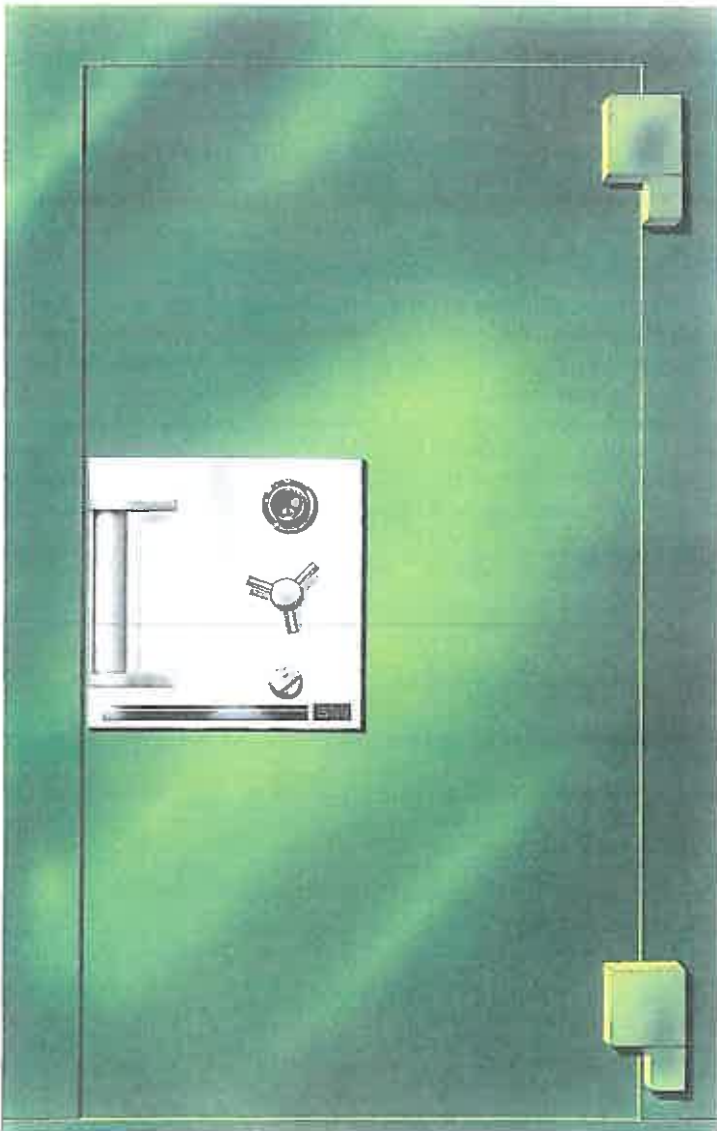
The boltwork and locking mechanism were designed to provide a maximum security barrier against attacks with explosives as well as flux-rod or tool attacks. The VD90TA has a double action locking mechanism which extends a full door length locking bar, of thermal-attack resistant alloy, into a high-strength channel in the door frame. Fixed bolts lock the hinge side of the door.

RELOCKING DEVICES

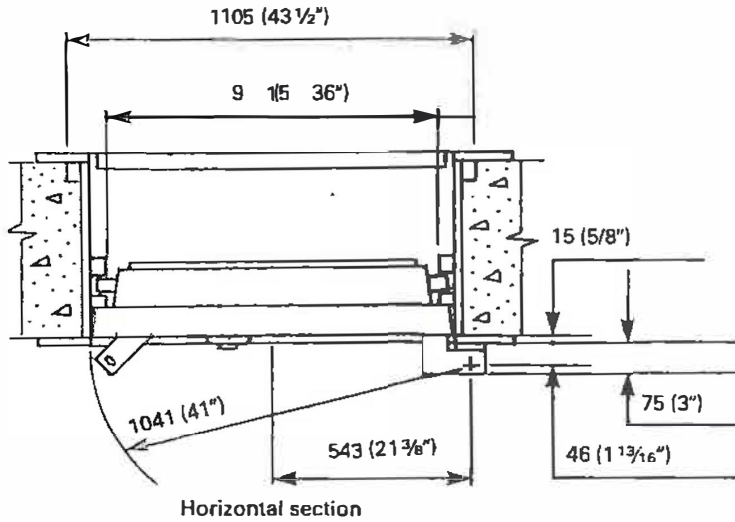
The locks and vital mechanism areas are protected by a special glass plate, which upon any attempt to penetrate the mechanism, releases a number of randomly located relockers independent of the locks. This provides the VD155TA with a maximum security deterrent against sophisticated burglary attacks.

DAY GATE

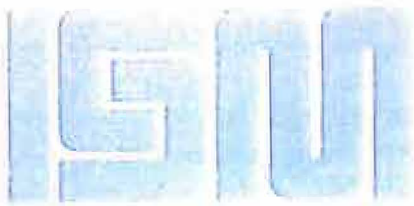
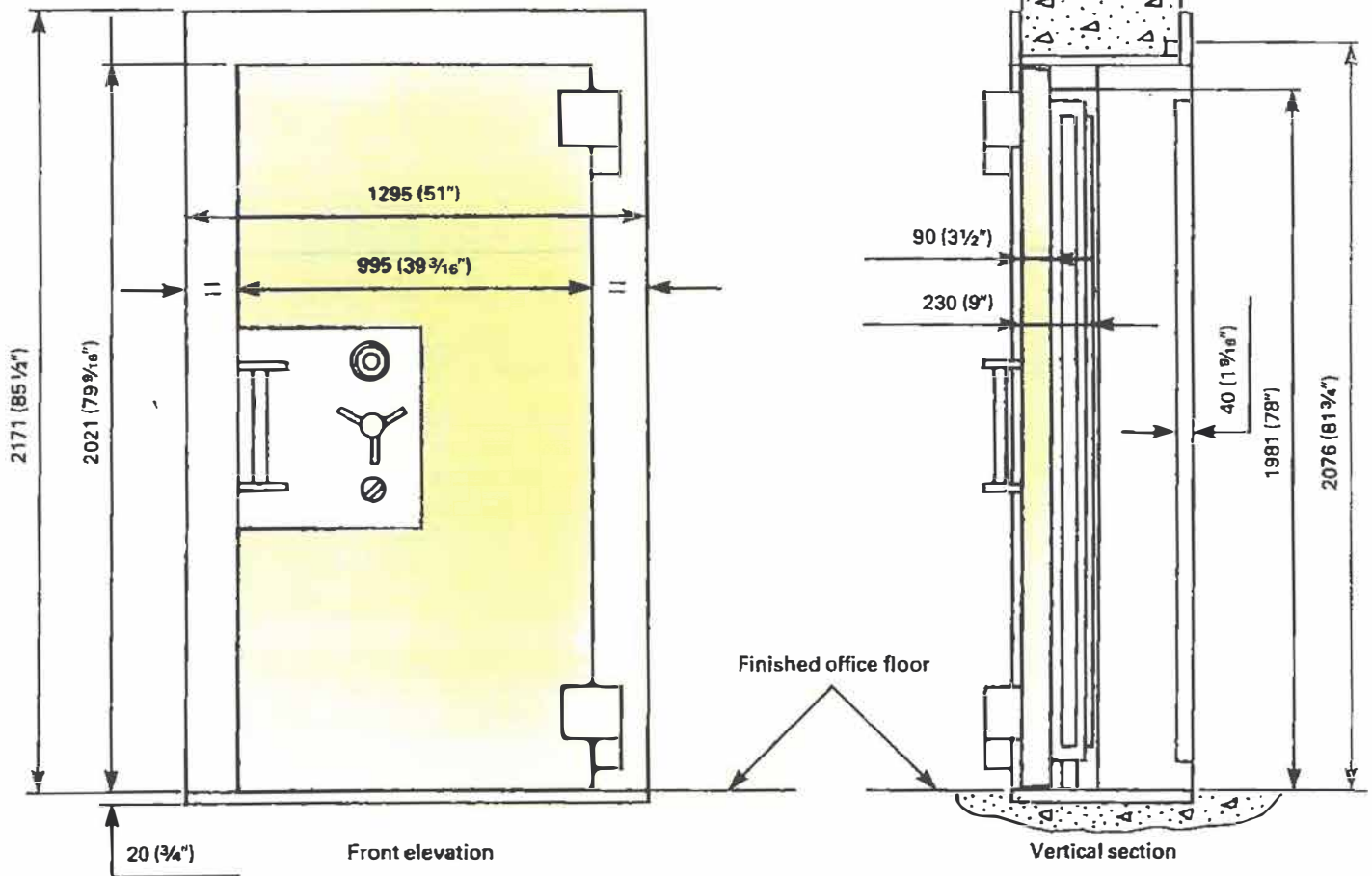
As an optional extra, an attractive anodized aluminum day gate with tinted glass is available with a cylinder lock for use during working hours when the vault door is open.



ISM 3 1/2" Vault Door



Total Weight:
1450 Kg. (3190 Lb.)
Door Weight:
858 Kg. (1888 Lb.)



MEGASAFE
HIGH SECURITY SAFES
(800) 345-6552 www.megasafe.com