



SECURIFORT
INC

- ❖ **Pry resistant door**
- ❖ **Extra Deep Formed Body**
- ❖ **Re-locking device with 1/4 inch thick hard plate**
- ❖ **None removable "rotary hopper" against forced attack**
- ❖ **Dual anti-fishing**

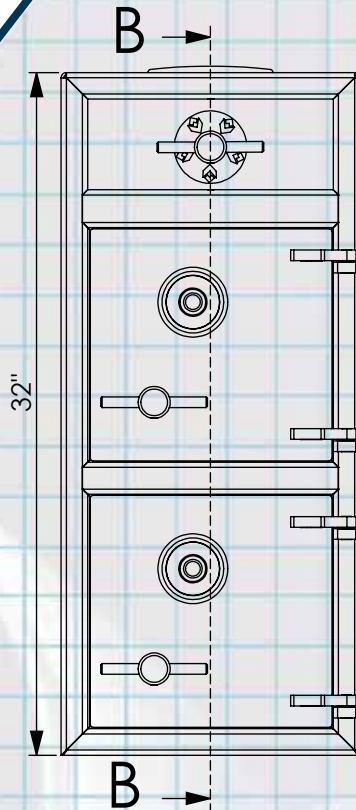
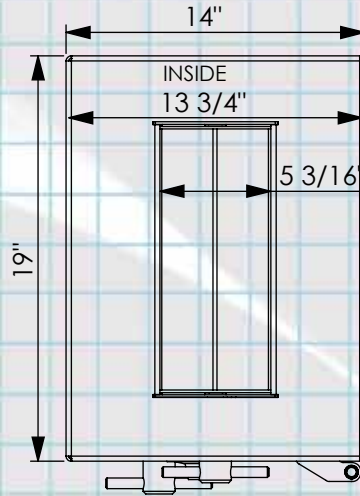


**Rotary
Depository Safe
"B" Rated**

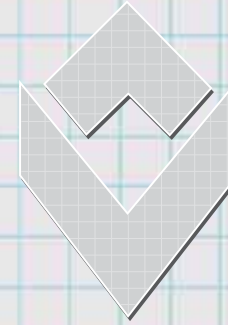
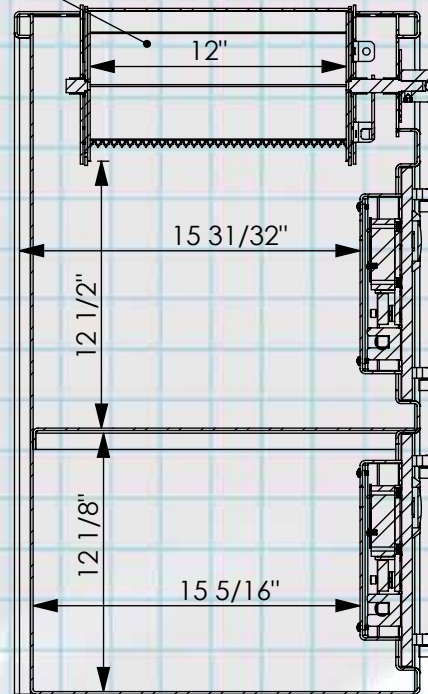
ROT-B321419CC

SPECIFICATIONS:

- ◇ BODY BUILT IN 3/16" THICK SOLID STEEL.
- ◇ DOOR MADE OF 1/2" THICK SOLID STEEL.
- ◇ THE MECHANISM IS PROTECTED BY A HARD PLATE 1/4" THICK.
- ◇ THE MECHANISM IS ALSO PROTECTED BY A 3 WHEEL COMBINATION LOCK THAT IS CONNECTED TO RELOCKING DEVICES IN CASE OF FORCED ENTRY ATTEMPT.
- ◇ DOOR IS LOCKED BY MASSIVE SLIDING PLATE OF 1/2" X 5".
- ◇ 4 ANCHOR HOLES 5/8" DIA.
- ◇ TOP COMPARTMENT CUBIC CAPACITY: 2877 CU IN.
- ◇ BOTTOM COMPARTMENT CUBIC CAPACITY: 2610 CU IN.
- ◇ APPROX WEIGHT: 187 LBS
- ◇ COLOR: CHARCOAL GREY

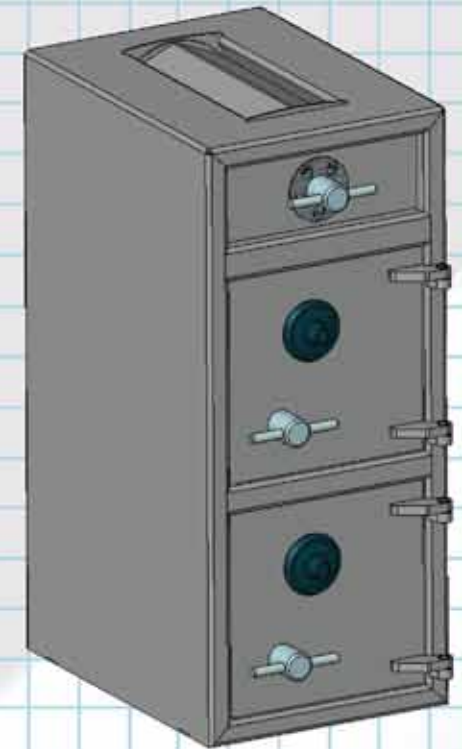


MAXIMUM PACKAGE CAPACITY
5" X 5" X 12"



SECURIFORT
INC

*ROTARY
DEPOSITORY SAFE
"B" RATED*



MEGASAFE
HIGH SECURITY SAFES
(800) 345-6552 www.megasafe.com