



SECURIFORT
INC

- ❖ **Ideal for fast cash deposit and undercounter application**
- ❖ **Re-locking device with 1/4 thick hard plate**

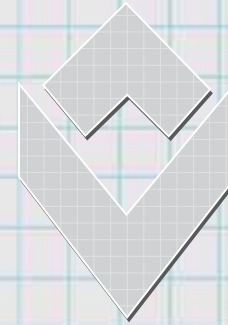


Depository Safe
CLASS 2

PERFECTO

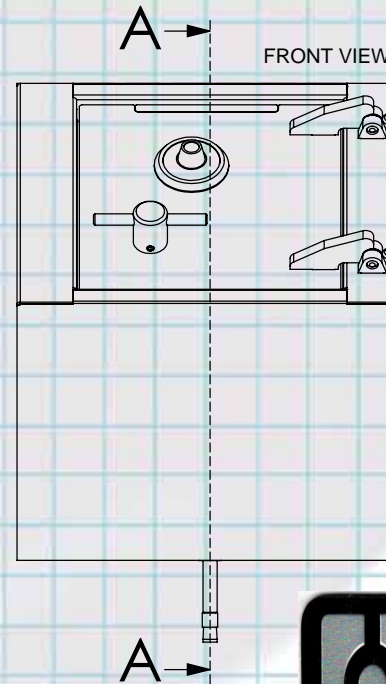
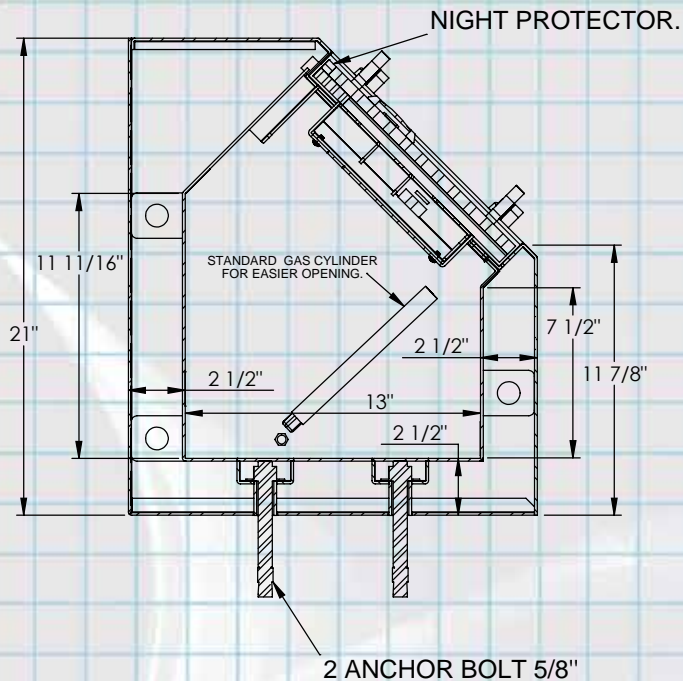
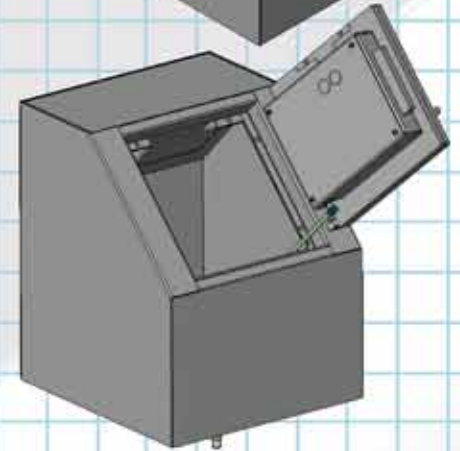
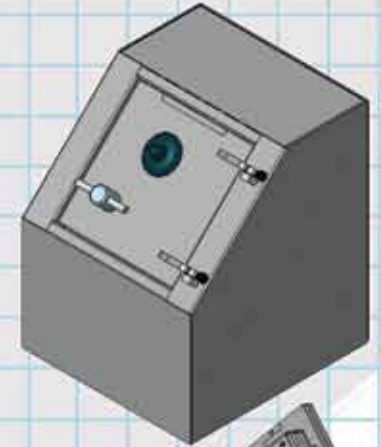
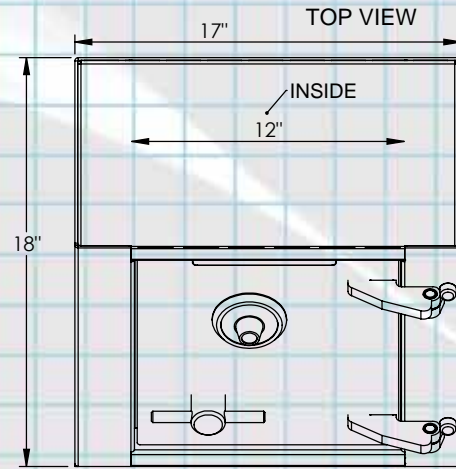
SPECIFICATIONS:

- ◆ BODY 2 1/2" THICK INCLUDING 1/4" STEEL & 2 1/4" OF 11500 PSI CONCRETE.
- ◆ SOLID STEEL DOOR 1" THICK.
- ◆ DOOR IS LOCKED BY A MASSIVE SLIDING PLATE OF 1/2" X 5"
- ◆ MECHANISM PROTECTED BY HARD STEEL PLATE 1/4" THICK.
- ◆ THE MECHANISM IS ALSO PROTECTED BY A 3 WHEEL COMBINATION LOCK THAT IS CONNECTED TO RELOCKING DEVICES IN CASE OF FORCED ENTRY ATTEMPT.
- ◆ FRONT DEPOSIT OPENING 1/2" X 6" WITH NIGHT PROTECTOR.
- ◆ CUBIC CAPACITY: 1795 CU IN.
- ◆ APPROX WEIGHT: 525LBS
- ◆ COLOR: DARK GREY.



SECURIFORT
INC

DEPOSITORY SAFE
CLASS 2



MEGASAFE
HIGH SECURITY SAFES
(800) 345-6552 www.megasafe.com