



SECURIFORT
INC



- ❖ **Pry resistant door**
- ❖ **Extra Deep Formed Body**
- ❖ **Re-locking device with 1/4 inch thick hard plate**
- ❖ **Recessed heavy duty front load with dual anti-fishing baffle**
- ❖ **Non removable drawer against forced attack**

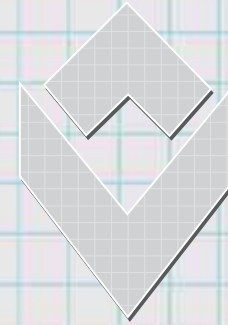


**Front Load
Depository Safe
"B" Rated**

FL-B201419

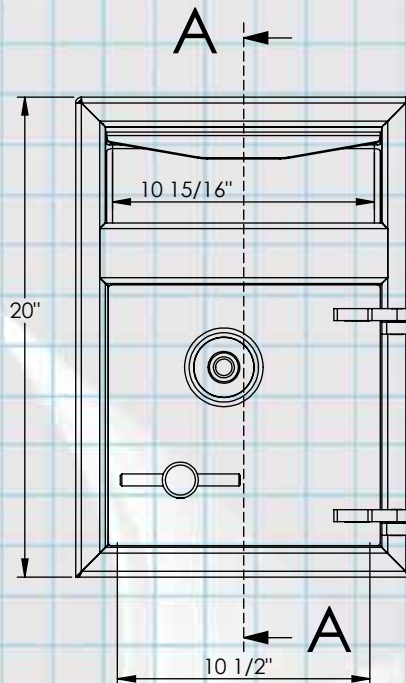
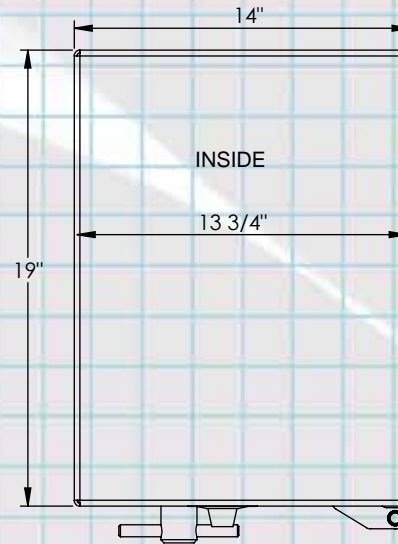
SPECIFICATIONS:

- ◆ BODY BUILT IN 3/16" THICK SOLID STEEL.
- ◆ DOOR MADE OF 1/2" THICK SOLID STEEL.
- ◆ THE MECHANISM IS PROTECTED BY A HARD PLATE 1/4" THICK.
- ◆ THE MECHANISM IS ALSO PROTECTED BY A 3 WHEEL COMBINATION LOCK THAT IS CONNECTED TO RELOCKING DEVICES IN CASE OF FORCED ENTRY ATTEMPT.
- ◆ DOOR IS LOCKED BY MASSIVE SLIDING PLATE OF 1/2" X 5".
- ◆ 4 ANCHOR HOLES 5/8" DIA.
- ◆ CUBIC CAPACITY = 2439 CU IN.
- ◆ APPROX WEIGHT: 112 LBS
- ◆ COLOR: CHARCOAL GREY.

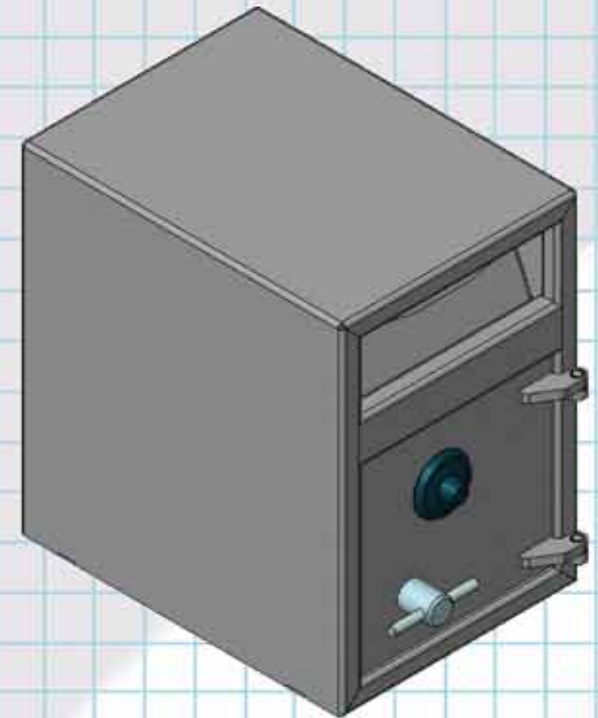
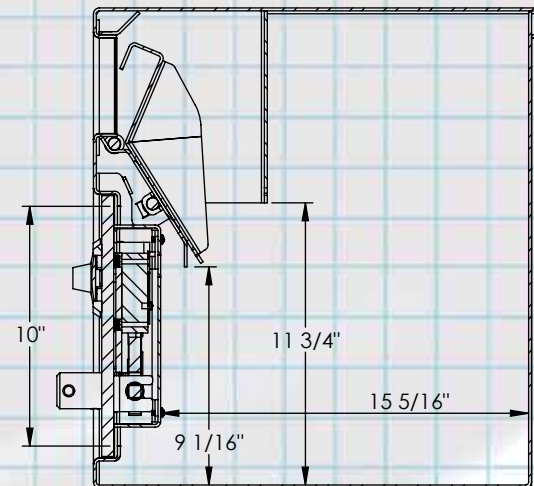


SECURIFORT
INC

*FRONT LOAD
DEPOSITORY SAFE
"B" RATED*



MAX PACKAGE
CAPACITY
3 1/2" X 3 1/2" X 11"



MEGASAFE
HIGH SECURITY SAFES
(800) 345-6552 www.megasafe.com